

DIVISION 13 - SPECIAL CONSTRUCTION

SECTION 137000 – LACTATION ROOM STANDARDS

PART 1 – GENERAL

1.1. SUMMARY

- A. This section includes appendix information:
 - 1. Lactation Room Standards overview
 - 2. Room Layouts w/millwork elevations
 - 3. Furniture Specification Sheets & Equipment Standards

1.2 RELATED REQUIREMENTS

- A. Room sizes and layouts in the appendix are to be used as guidelines to assure all programmatic needs are met.
 - 1. New construction or large-scale renovation projects must provide a sink and under counter accessible microwave for staff and public users of the facility.
 - 2. Small scale renovation of an existing room to create space exclusively for a department's staff, is not required to provide a sink if it causes an undue financial burden to convert and allocate the space.
- B. The A/E shall allocate space as required by the program and arrange millwork according to the attached options.
- C. Room locking mechanism shall be privacy function with occupancy indicator.
- D. Refrigerators are not to be provided in lactation rooms for health and safety reasons.
- E. Finishes must comply with Division 09-06: Interior Finish Standards.
- F. Furnishing standards are provided and if exceptions pursued, must meet Division 12: Furniture Standards.

1.3 COORDINATION

- A. Coordinate location of lactation room to be accessible by staff and public using the facility.
- B. Provide all necessary power and data to support the additional equipment in the space as well as a data jack for computer use.

APPENDIX FOLLOWS

END OF SECTION 137000

APPENDIX

LACTATION ROOM STANDARDS

The purpose of the University of Minnesota Lactation Room Standards is to provide a specification resource to assure programmatic room needs as well as furniture and fixture/equipment products.

Design Selection Process:

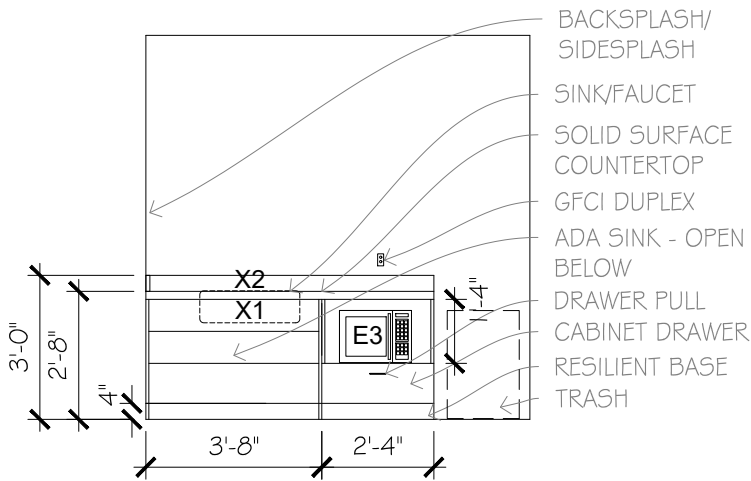
- A. Select the lactation room floor plan that best fits the building space available and meets applicable codes for the space use.
- B. Begin selecting the furniture types needed from those listed in the selected floor plan legend.
- C. Select one of the options provided for each furniture type that is preferred.
- D. Work with the designated dealers noted on the furniture sheets to assist with the procurement process.
- E. Follow instructions in equipment sheet “notes” for procurement and installation process.

Dealer Contacts: (request the UMN Sales Representative)

- Atmosphere Commercial Interiors
612-343-0868 <https://www.atmospherci.com/contact/>
- Innovative Office Solutions
866-574-5389 CS@innovativeos.com
- Prevolv, Inc.
651-645-2055 info@Prevolv.com

For Questions:

- Contact the Capital Project Management Interior Design team.
612-626-1613 cpm@umn.edu



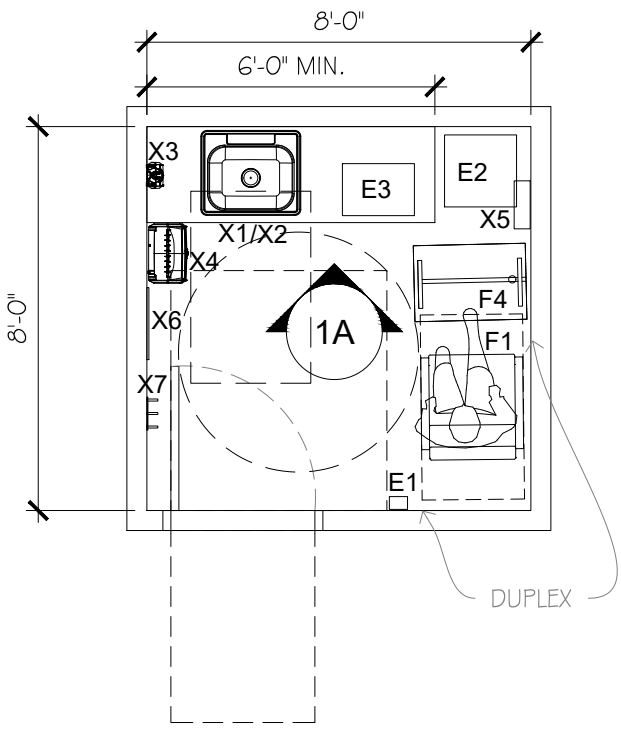
1A LACTATION ROOM - ELEVATION
 1/4" = 1'-0"

LEGEND

- F1 - GLIDER
- F2 - NOT USED
- F3 - NOT USED
- F4 - MULTI-FUNCTION MOBILE END TABLES
- F5 - NOT USED
- X1 - SINK
- X2 - FAUCET
- X3 - SOAP
- X4 - PAPER TOWEL DISPENSER
- X5 - FIRST AID CABINET (OPTIONAL)
- X6 - MIRROR
- X7 - COAT HOOK
- E1 - WALL MOUNT SANITIZER
- E2 - TRASH CONTAINER
- E3 - MICROWAVE (OPTIONAL)

NOTES

1. DASHED LINES INDICATE ADA CLEARANCES.
2. DASHED LINE AROUND GLIDER SHOWS SPACE FOR MOVEMENT NEEDED.
3. PROVIDE DIMMABLE LIGHTING.
4. PROVIDE INTERIOR LOCKING DOOR HARDWARE.



2A LACTATION ROOM - FLOOR PLAN
 1/4" = 1'-0"

OPTION A: 8' x 8' WITH GLIDER

SCALE: 1/4" = 1'-0"

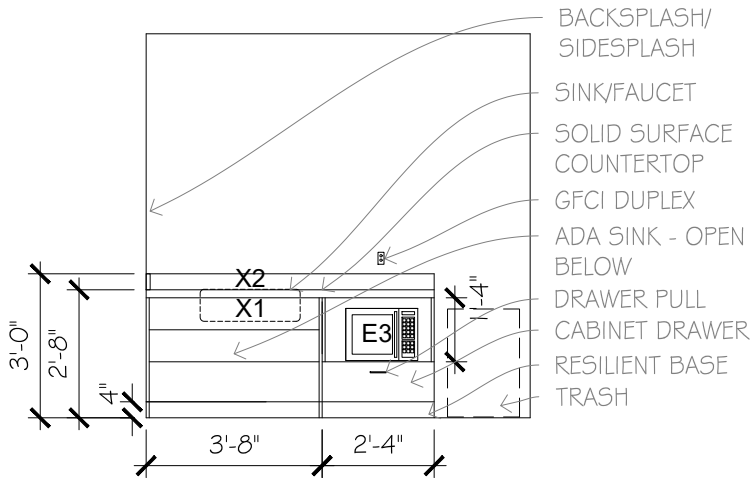
UMN STANDARD LACTATION ROOM



University of Minnesota | Capital Project Management

Building Standards
 Division: 13-10

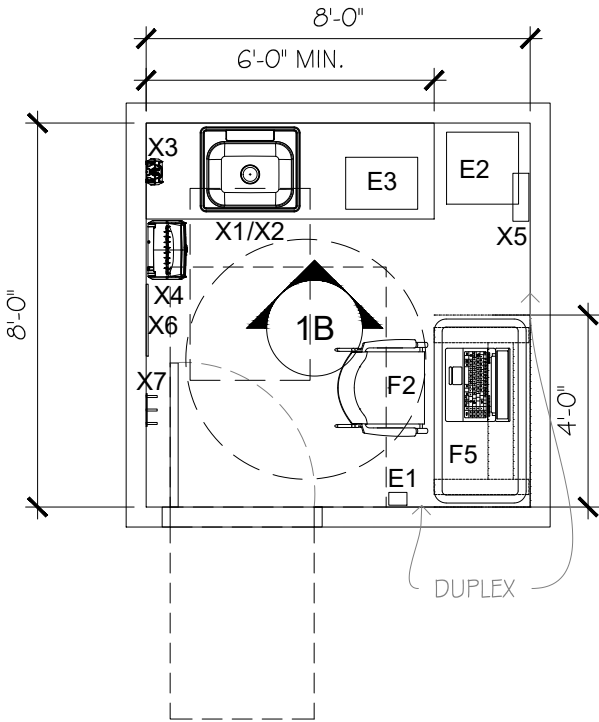
Drawn: HMW
 Issued: April 2024



1B LACTATION ROOM - ELEVATION
1/4" = 1'-0"

LEGEND

- F1 - NOT USED
- F2 - TASK CHAIR
- F3 - NOT USED
- F4 - NOT USED
- F5 - DESK (ADJUSTABLE HEIGHT)
- X1 - SINK
- X2 - FAUCET
- X3 - SOAP
- X4 - PAPER TOWEL DISPENSER
- X5 - FIRST AID CABINET (OPTIONAL)
- X6 - MIRROR
- X7 - COAT HOOK
- E1 - WALL MOUNT SANITIZER
- E2 - TRASH CONTAINER
- E3 - MICROWAVE (OPTIONAL)



2B LACTATION ROOM - FLOOR PLAN
1/4" = 1'-0"

NOTES

1. DASHED LINES INDICATE ADA CLEARANCES.
3. PROVIDE DIMMABLE LIGHTING.
4. PROVIDE INTERIOR LOCKING DOOR HARDWARE.

OPTION B: 8' x 8' WITH TASK CHAIR

SCALE: 1/4" = 1'-0"

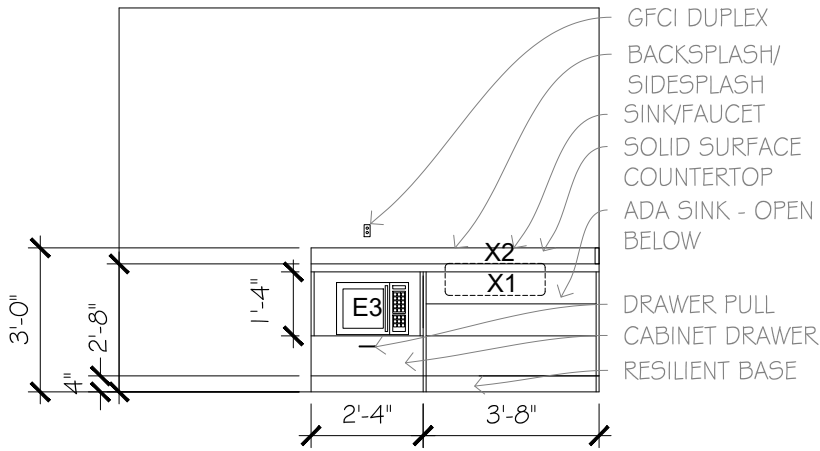
UMN STANDARD
LACTATION ROOM



University of Minnesota | Capital Project Management

Building Standards
Division: 13-10

Drawn: HMW
Issued: April 2024



1C

LACTATION ROOM - ELEVATION

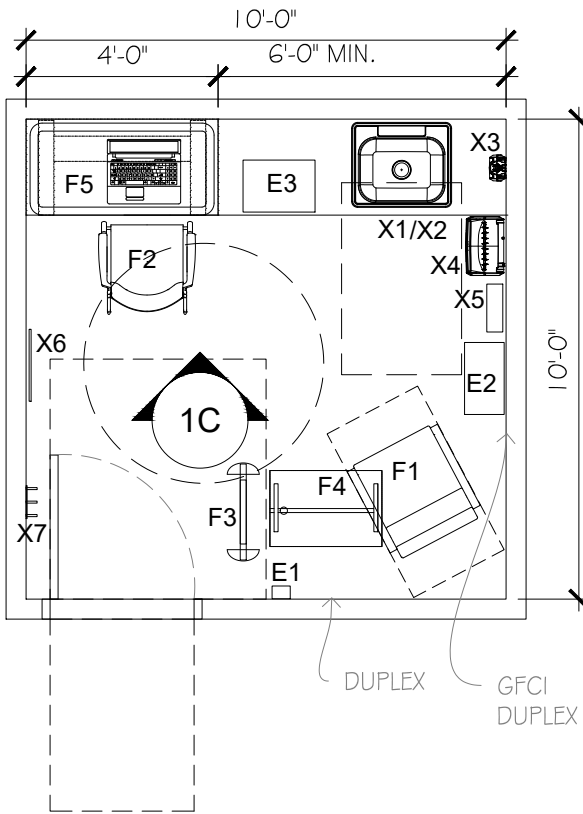
1/4" = 1'-0"

LEGEND

- F1 - GLIDER
- F2 - TASK CHAIR (OPTIONAL)
- F3 - MOBILE PRIVACY SCREEN (OPTIONAL)
- F4 - MULTI-FUNCTION MOBILE END TABLES
- F5 - DESK (ADJUSTABLE HEIGHT)
- X1 - SINK
- X2 - FAUCET
- X3 - SOAP
- X4 - PAPER TOWEL DISPENSER
- X5 - FIRST AID CABINET (OPTIONAL)
- X6 - MIRROR
- X7 - COAT HOOK
- E1 - WALL MOUNT SANITIZER
- E2 - TRASH CONTAINER
- E3 - MICROWAVE (OPTIONAL)

NOTES

1. DASHED LINES INDICATE ADA CLEARANCES.
2. DASHED LINE AROUND GLIDER SHOWS SPACE FOR MOVEMENT NEEDED.
3. PROVIDE DIMMABLE LIGHTING.
4. PROVIDE INTERIOR LOCKING DOOR HARDWARE.



2C

LACTATION ROOM - FLOOR PLAN

1/4" = 1'-0"

OPTION C: 10' x 10' WITH GLIDER

SCALE: 1/4" = 1'-0"

UMN STANDARD LACTATION ROOM



University of Minnesota | Capital Project Management

Building Standards
Division: 13-10

Drawn: HMW
Issued: April 2024

FF&E Specification Sheet

F.1A

Project: LACTATION STANDARDS



Vinyl Option:
Momentum,
Beeline EPU, Forge



Arm Cap: Black Urethane



Arm Upholstery:
Momentum, Beeline EPU, Forge

Manufacturer: Krug

Use: Lactation Room Standard

Model: Jordan Glider

Dealers: Atmosphere Commercial Interiors, Innovative Office Solutions & Prevoly, Inc.

Budget Price: \$2,075 (Contact Dealer for Actual Price)

MANUFACTURER / PRODUCT	SIZE (WxDxH)	MODEL #	FINISH/ COLOR	ADDITIONAL INFO (IE: features)
Krug - Jordan Glider	W: 24" D: 28" H: 43.5" Wt Cap: 350 lbs. Floor space needed to fully glide: 7" rear end therefore 7" away from the wall.	Model: JOR6-GL24UREB	Upholstered Seat: Momentum, Beeline EPU, Forge Back: Momentum, Beeline EPU, Forge Arms Finish: Momentum, Beeline EPU, Forge Arm Caps: Urethane	Designed with pronounced lower lumbar and thoracic support, and the canted seat with a "waterfall" front is designed to prevent discomfort for legs and hips, while promoting good circulation. The seat, arms and the recessed front panel are designed to allow safer and easier ingress and egress. A slight flexing action in the back promotes an upright sitting position that is still pleasingly comfortable.

FF&E Specification Sheet

F.1B

Project: LACTATION STANDARDS



Vinyl Option 1:
Spradling,
Whisper Neo,
Storm, WHI-2155



Vinyl Option 2:
Spradling,
Whisper Neo,
Elephant, WHI-2138



Arm Cap: Black Urethane

Manufacturer: Carolina Seating

Use: Lactation Room Standard

Model: Modern Amenity Glider

Dealers: Atmosphere Commercial Interiors, Innovative Office Solutions & Prevolv, Inc.

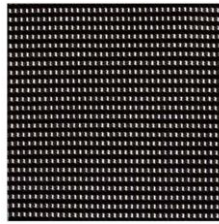
Budget Price: \$1,875 (Contact Dealer for Actual Price)

MANUFACTURER / PRODUCT	SIZE (WxDxH)	MODEL #	FINISH/ COLOR	ADDITIONAL INFO (IE: features)
OFS - Modern Amenity Glider	W: 26.5" D: 27.25" H: 39.25" Wt Cap: 350 lbs. Floor space needed to fully glide:2-3" front to back allowed	#1616 X9 - No Slection of Option D1N - Black Poly X9 - No Selection of Option X9 - No Selection of Option 7 - Grade 7 Material MAAT - Maharam Apt 3079908 - Labryinth X9 - No Selection of Option X9 - No Selection of Option	Wood: A8S Wood European Beech Arm Cap: D1N Black Poly Arm X9 standard - no bump guard Model: 1616 Fabric: Grade 7 Maharam, Apt 466392 008 Labyrinth	Standard Features: <ul style="list-style-type: none"> • Glider Mechanism Allows for 2-3 Inches of Glide Motion Front and Back • Locking Knob for Transportation Located on Mechanism Under Glider • Upholstered Arm Panels with No Arm Caps comes Standard • European Beech or American Ash if Wood Arm Caps are Specified • Plastic Glide Comes Standard with Glider Mechanism • Clean-Thru Design

FF&E Specification Sheet

F.2A

Project: LACTATION STANDARDS



Mesh Black: Black



Base: Black



Seat Vinyl: Charcoal

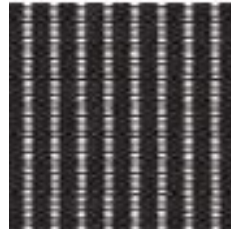
Manufacturer: Steelcase AMQ
 Use: Lactation Room Standard
 Model: Zilo Task Chair
 Dealers: Atmosphere Commercial Interiors & Prevolv, Inc.
 Budget Price: \$525 (Contact Dealer for Actual Price)

MANUFACTURER / PRODUCT	SIZE (WxDxH)	MODEL #	FINISH/ COLOR
AMQ/Steelcase - Zilo Task Chair	Height Range: 39.5" - 43.5" Back: 19"w x 20"h Seat: 19.25"w x 20"d Seat Height Range: 18.5" - 22.75"	Model: Z-H2 Z-C2 Z-S2 Z-A2 Z-B3 Z-M1 Z-V2	Vinyl Seat: Graphite V2 Mesh Back: Black Trim Color: Black Casters: Carpet Lumbar: Included

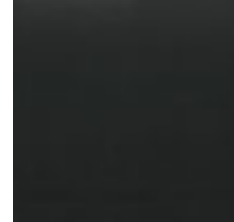
FF&E Specification Sheet

F.2B

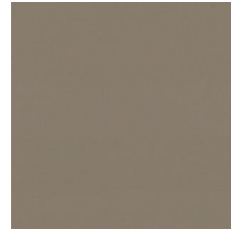
Project: LACTATION STANDARDS



Mesh Back: Black



Base: Black



Seat Vinyl: Element - Lead

Manufacturer: SitOnIt

Use: Lactation Room Standard

Model: Focus 2.0 Side Chair

Dealers: Innovative Office Solutions, Atmosphere Commercial Interiors & Prevolv, Inc.

Budget Price: \$500 (Contact Dealer for Actual Price)

MANUFACTURER / PRODUCT	SIZE (WxDxH)	MODEL #	FINISH/ COLOR
SitOnIT - Focus 2	W: 26.2"- 28.5" D: 26" H: 41.2"- 44.8" Wt Cap: 300 lbs.	Model: 1123 BK2 T AR4 VG2 CS5 CH1 MB MC1 FC1 YCC01 LA1 BT1 BC1 KD	Back Size: Highback Back Style: Mesh Mesh Color: Black Frame Color: Black Y Support: Black Accent Color: Onyx Seat: Grade 2 Vinyl Seat Element- Lead Arm Style: Height Adjustable Mechanism: Swivel Tilt Cylinder Height: Standard Casters: Carpet No Lumbar Adjustment

FF&E Specification Sheet

F.3A

Project: LACTATION STANDARDS



Fabric Opt 1: Era – Extent



Fabric Opt 2: Era - Range



Fabric Opt 3: Era – Forecast



Frame: Anthracite

Manufacturer: Senator Group

Use: Lactation Room Standard

Model: Rectangular Play Screen

Dealers: Atmosphere Commercial Interiors, Innovative Office Solutions & Prevolv Inc.

Budget Price: \$890.00 (Contact Dealer for Actual Price)

MANUFACTURER / PRODUCT	SIZE (WxDxH)	MODEL #	FINISH/ COLOR
Senator Group - Rectangular Play Screen	W: 27" H: 55"	Model: SQ-PYPFSR2755	Fabric Options: Era, Extent CSE28 Era, Range CSE42 Era, Forecast CSE11 Frame: Anthracite

FF&E Specification Sheet

F.3B

Project: LACTATION STANDARDS



Frame: Powder Coat Slate

Manufacturer: Watson

Use: Lactation Room Standard

Model: Etch Mobile Markerboard

Dealers: Atmosphere Commercial Interiors, Innovative Office Solutions & Prevolv Inc.

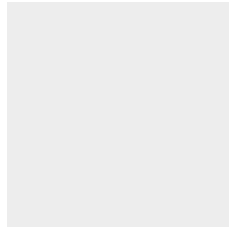
Budget Price: \$970. (Contact Dealer for Actual Price)

MANUFACTURER / PRODUCT	SIZE (WxDxH)	MODEL #	FINISH/ COLOR
Watson - Etch Mobile Markerboards	30" W x 60" H	Model: WEM203060	White Board Frame: Powder Coat Slate

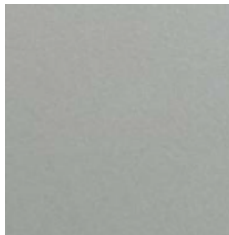
FF&E Specification Sheet

F.4A

Project: LACTATION STANDARDS



Top: Standard



Base: Standard

Manufacturer: Ergotron

Use: Lactation Room Standard

Model: LearnFit Adjustable Height Table

Dealers: Atmosphere Commercial Interiors, Innovative Office Solutions & Prevolv Inc.

Budget Price: \$525 (Contact Dealer for Actual Price)

MANUFACTURER / PRODUCT	SIZE (WxDxH)	MODEL #	FINISH/ COLOR	ADDITIONAL INFO (IE: features)
Ergotron - LearnFit Mobile	Worksurface Height = 29" - 45" Worksurface Dim: 24" x 22" Base Footprint Dim: 24" x 22" Weight Cap: 15 lbs	Model: SYNX 4536485 WQ97184656	Standard Finishes	Includes adjustable-height base, worksurface with integrated cupholder, tablet slot and pencil tray, backpack hook, four dual casters (two locking), hand-brake system

FF&E Specification Sheet

F.4B

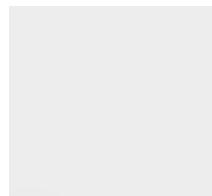
Project: LACTATION STANDARDS



Top: Pure White Laminate



Base: Luster Gray



Casters: White

Manufacturer: OFS Carolina

Use: Lactation Room Standard

Model: Stray Table

Dealers: Atmosphere Commercial Interiors, Innovative Office Solutions or Prevolv, Inc.

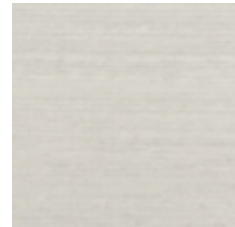
Budget Price: \$950 (Contact Dealer for Actual Price)

MANUFACTURER / PRODUCT	SIZE (WxDxH)	MODEL #	FINISH/ COLOR
OFS – Stray, mobile, height adjustable	D: 19" W: 24" Height Adjustment: 27.75"H-38"H Weight Cap: 66 lbs	Model: MT-2418 Top: RW3 Base: MSL Caster: A4H	Model: MT-2418 Pure White (RW3) Luster Gray (MSL) White (A4H)

FF&E Specification Sheet

F.5A

Project: LACTATION STANDARDS



Worksurface: Ash Wenge



Base: Platinum

Manufacturer: AMQ

Use: Lactation Room Standard

Model: ACTIV

Dealers: Atmosphere Commercial Interiors & Prevolv, Inc.

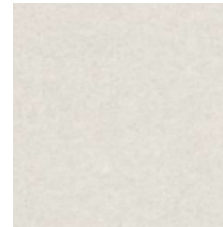
Budget Price: \$825 (Contact Dealer for Actual Price)

MANUFACTURER / PRODUCT	SIZE (WxDxH)	MODEL #	FINISH/ COLOR	ADDITIONAL INFO (IE: features)
AMQ – ACTIV2.0, Stage 3	W: 46" D: 24" Height Range: 24.5" - 50" Wt Cap: 225 lbs Lift Speed: 38mm/s	Model: AP2-24C.F1-S4624-W2.7	Worksurface: Ash Wenge W2.7 Frame: Platinum F1 Leg: C style	Push button with 4 programmable settings, Anti-Collision *10 year warranty

FF&E Specification Sheet

F.5B

Project: LACTATION STANDARDS



Worksurface: Shadow Zephyr



Base: Silver

Manufacturer: Workrite
 Use: Lactation Room Standard
 Model: Sierra HX Electric Sit-Stand
 Dealers: Prevolv, Inc, Atmosphere Commercial Interiors
 Budget Price: \$1,025 (Contact Dealer for Actual Price)

MANUFACTURER / PRODUCT	SIZE (WxDxH)	MODEL #	FINISH/ COLOR	ADDITIONAL INFO (IE: features)
Workrite -Sierra HX	W: 46" D: 23" Ht range: 22.5" - 48.7" Wt Cap: 225 lbs Lift rate: 1.6"/ sec	Model: 46-SEHX30-48-F24-SS- Standard up down switch ST4623-B3-tier 1 Worktop 46" w x 23"d Laminate tier 1, B3 pvc matching edge	Base options: Silver Worktop Laminate: Shadow Zephyr PVC matching Edge	*Sierra HX Electric Sit Stand table base and top with Basic up down switch and horizontal wire mgmt. *Only sit stand base with Lifetime Warranty. *UM EHS Ergo Contract Approved.

FF&E Specification Sheet

Fixtures & Equipment

Project: LACTATION STANDARDS

ITEM/ CODE	IMAGE	PRODUCT DESCRIPTION	MANUFACTURER	MODEL # /SPEC'S/SIZE	FINISH/COLOR & SPEC'S	ADDITIONAL INFO
X1		Sink	ADA Accessible sink	Low Profile Basin	ADA compliant stainless steel sink, drop-in single bowl	Sinks and faucets need to be ordered through the work order process. Enter a work order through the FM call center.
X2		Faucet	ADA Gooseneck faucet required		ADA compliant, stainless steel faucet. Flexible spout. Single handle manual operation with integrated spray feature for ease of cleaning/washing pump and accessories.	Sinks and faucets need to be ordered through the work order process. Enter a work order through the FM call center.
X3		Dispensers - Soap	University Standard - U Market Supplier: VWR International, LLC	Model: 92021192 Nexa Classic Touch-Free Dispenser Black 1250ml w-M Logo (No Charge) Compass #048707 Drip free tray - adds 7" to the height. Compass #048714 Size: 6.12"W x 11.1"H x 3.97"D	Wall mounted soap dispenser, black	Call FM to coordinate install. Enter a work order through the FM call center.
X4		Dispensers - Papertowel	University Standard - U Market Supplier: W.W. Grainger, Inc. Georgia Pacific	Model: GP 59462A - EnMotion 10" Automated Touchless Compass Part #048727 Size: 14.7"W x 17.3"H x 9.5"D	Wall mounted paper towel dispenser Black	Call FM to coordinate install. Enter a work order through the FM call center.
X5		First Aid Cabinet	University Standard U Market VWR	Model: 91141825 First Aid Kit - 2 Shelf Food Service First Aid Cabinet Kit	ADA Compliant, wall mounted First Aid Cabinet 75 Person 2-Shelf Metal First Aid Cabinet, ANSI A+, Type I & II with Medications Solid steel case, with carrying handle, Wall-mountable Available in a 2-shelf or 3-shelf configuration ANSI/ISEA Z308.1-2015	Call FM to coordinate install. Enter a work order through the FM call center.
X6		Mirror	University Standard U Market Supplier: W.W. Grainger, Inc.	Model: 080-018600 Af Mirror 18 X 60 Ss Frame Part Number: 39V230 Manufacturer: BRADLEY Wall mounted, full length framed mirror. Size: 18"x60"	Frame: Stainless Steel w/ Satin ASTM C 1036. ADA compliant. Finish with welded corners. 1/4" float glass, triple-silver-plated with electro-copper-plated layer and thermosetting infrared cured paint packing with Poly-Glaze protective finish. Included wall hanger.	Call FM to coordinate install. Enter a work order through the FM call center.

FF&E Specification Sheet

Fixtures & Equipment

Project: LACTATION STANDARDS

ITEM/ CODE	IMAGE	PRODUCT DESCRIPTION	MANUFACTURER	MODEL # /SPEC'S/SIZE	FINISH/COLOR & SPEC'S	ADDITIONAL INFO
X7		Coat Rack	University Standard U Market Supplier: W.W. Grainger, Inc.	Model: Grainger 8YCX9 Three hooks on flush plate. Screw Mount Wall mount hardware included. Size: W: 16" H: 2.25" D: 2.25"	Material: Aluminum Finish: Satin	Call FM to coordinate install. Enter a work order through the FM call center.
E1		Hand Sanitizer	University Standard Ecolab	Model: Ecolab 92021192 Nexa Classic Touch-Free Dispenser White 1250ml. No Charge. Free drip try - adds 7" to the total height. (UMN standard to keep drips off floors) Ecolab FacilPro Hand Sanitizer Insert: Ecolab 6100874 Concentrate Foam Hand Sanitizer (Alcohol Free) Compass # TBD Size: H 11.1"xW 6.12"xD 3.97"	Color: White	Call FM to coordinate install. Enter a work order through the FM call center.
E2		Trash Container	University Standard U Market Supplier: W.W. Grainger, Inc.	Model: Grainger 48L069 Trash Can Round 18 gal. Silver Size: H: 28" Diameter: 15"	Finish: Stainless Steel - Silver ADA Compliant, UL94 Features Fire Safe Steel, 60% Recycled Material Content, Rubber gasket on bottom Includes Plastic Liner Rigid Liner Contains a Minimum of 100% Post-Consumer Recycled Content	
E3		Microwave	University Standard U Market Supplier: W.W. Grainger, Inc.	Model: 40GR48 Silver Microwave 1.60 cu ft. 120V Mfg: DAEWOO *Verify dimension fits into casework opening *Must be UL Listed	Color: Silver Wattage 1100 Oven Capacity 1.60 cu ft. 1-Touch Settings Standards UL FCC FDA Features Concave Reflex System Auto Defrost Child Safety Lock System Microwave	Call FM to verify electrical outlet meets power needs of microwave. May need a dedicated circuit. Enter a work order through the FM call center.

NOTE: All products available on U Market or through FM Work Order system.